

grande
brio
RIDE ON 115



INNOVATION IN CLEANING EQUIPMENT

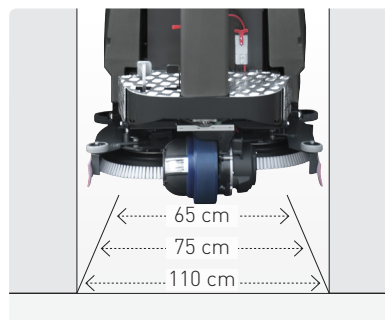
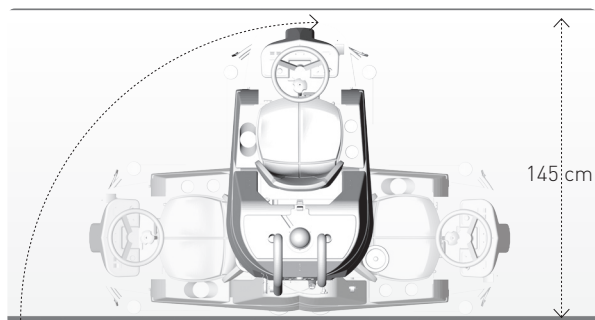


grande brio

RIDE ON 115

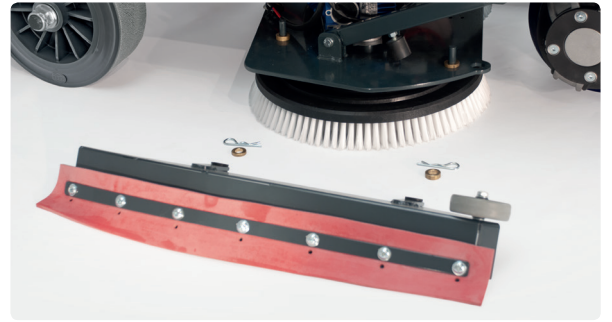
650 750 1100

Pista di pulizia / Scrubbing path	mm	650	750	1100
Larghezza tergipavimento / Squeegee width	mm	650	750	850
Rendimento orario / Coverage performance	m ² /h	3250	3750	5500
Tempo di lavoro / Working time	h	> 5h 15'	> 4h 45'	> 4h 45'
Serbatoio soluzione / Solution tank	l	115	115	115
Serbatoio recupero / Recovery tank	l	125	125	125
Diametro spazzole / Brush size	mm	2 x 340	2 x 390	4 x 290
Motore spazzole / Brush motor	W	2 x 500	2 x 500	4 x 200
Pressione spazzola / Brush pressure	kg	0-45	0-55	0-65
Motore trazione / Traction motor	W	600	600	600
Motore aspirazione / Vacuum motor	W	3 stages 490	3 stages 490	3 stages 490
Tensione di alimentazione / Voltage	V	24	24	24
Batterie (DIN) / Battery capacity (DIN)	A (5h)	320 (Wet)	320 (Wet)	320 (Wet)
Comparto batterie (LxLxH) / Batt. comp. (LxWxH)	mm	510 x 415 x 450	510 x 415 x 450	510 x 415 x 450
Caricabatterie / Battery charger	A/h	20 - 25	20 - 25	20 - 25
Peso senza (con) batterie / Weight without (with) batteries	kg	235 (475)	245 (485)	255 (495)
Dimensioni (LxLxH) / Dimensions (LxWxH)	mm	1450 x 780 x 1450	1500 x 830 x 1450	1500 x 1300 x 1450



grande brío

RIDE ON 115



It's time to step forward and face the world's challenge.
It's time for GRANDE BRIO

The conquest of simplicity



TSM - Technological Systems by Moro Srl

Via Fratelli Zambon, 9 - 33080 Fiume Veneto (PN) - Italy

Tel. +39.0434.564167 - Fax +39.0434.954069

www.tsmitaly.com - marketing@tsmitaly.com

 - [tsmitaly](https://www.youtube.com/tsmitaly) -

INNOVATION IN CLEANING EQUIPMENT

TSM