

SNOW MAKERS

ACCESS TOWER

Lowering Tower for Easier Maintenance





Bringing Maintenance to Ground Level

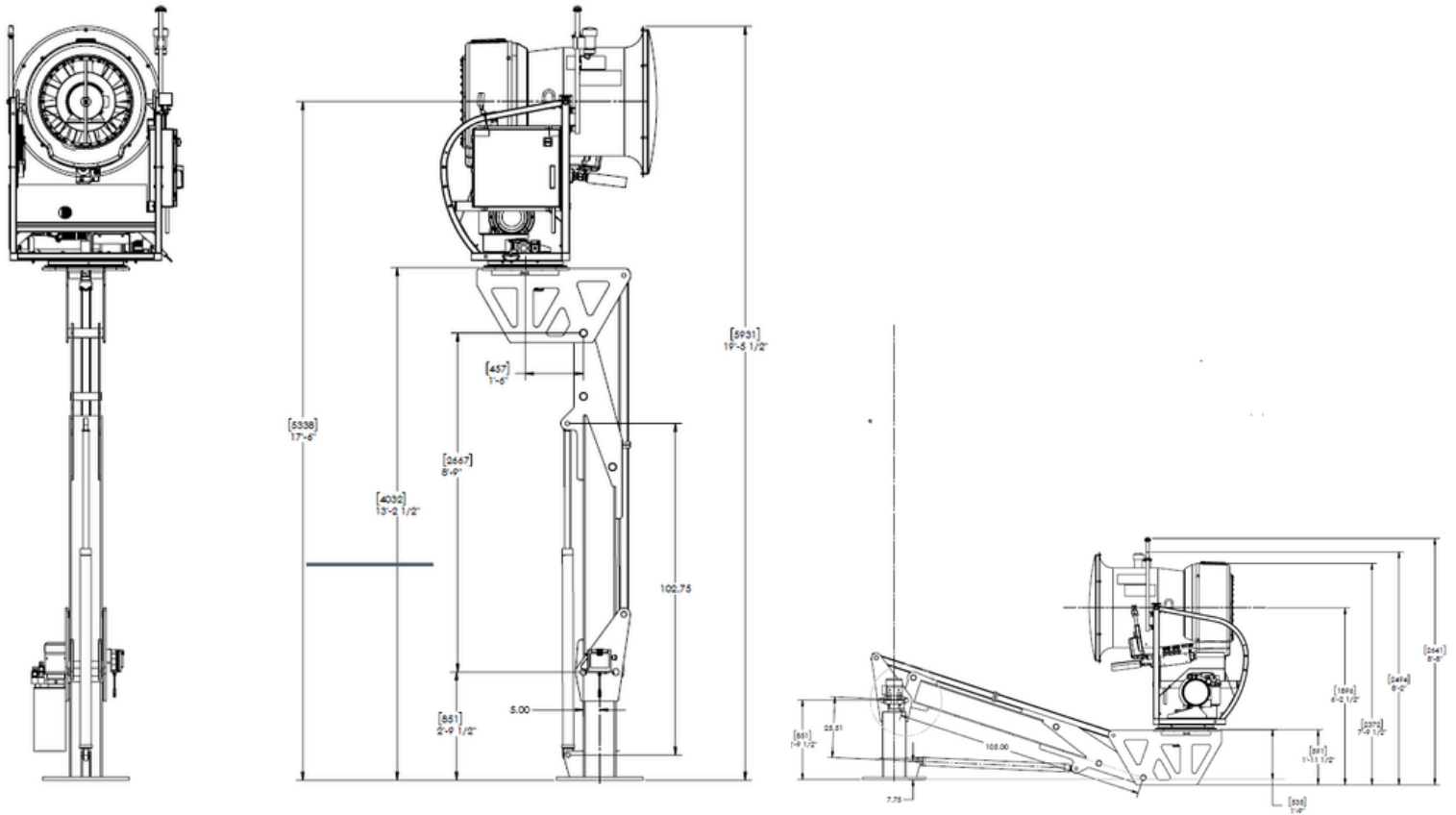
The SMI Access Tower fully lowers to ground level using a hydraulic pump, eliminating the need for ladder climbs and providing optimal access angles for faster, more efficient maintenance. After servicing, you can easily raise the tower back up to create snow with over 20 feet of hangtime, or use its lowered position to combat wind and target specific areas more effectively.

Add the Access Tower to your Automatic Polecat, Puma, or Wizzard Family Fans.





Access Tower Specs



TOWER ONLY WEIGHT 1700LBS (ACCESS TOWER HEAD AT 1920LBS) FOR TOTAL WEIGHT OF 3620LBS

**Drawing of Super Polecat*

System Includes

- Tower and all components for assembly
- Pump Control Panel
- Hydraulic Pump
- HMI Machine Control Panel
- Heated Drain Hose
- 90° swivel assembly with drains
- Water feed hose

Specs

- Height of Upright Positioning:
 - Super Puma: 18' ft and 6" in
 - Super Polecat: 17' ft and 6" in
- Height of Fully Lowered Positioning:
 - Super Puma: 6' ft and 5" in
 - Super Polecat: 6' ft and 2.5" in
- Weight :
 - Tower only: 1,700 lbs
 - Tower head: 1,920 lbs
 - Total weight: 3,620 lbs



Ready to start? Let's build your
system.

Snow Machines Inc.
www.snowmakers.com
1512 Rockwell Dr, Midland, MI 48642
P : 1 (989) 631 -6091

