

SNOW MAKERS

BULLSEYE SERIES

Precision Snowmaking





Targeted Performance, Simple Operation.

The SMI Bullseye - Precision Snowmaking

The Bullseye is our most straightforward and reliable snowmaking stick, engineered for consistent performance. Featuring four water nozzles, three nucleating nozzles, and a simple on/off operation, it provides dependable snow production for cat tracks, lift terminals, narrow trails, and tight spaces.

Designed to be cost-effective, easy to maintain, and user-friendly, the Bullseye delivers reliable snow production with straightforward controls.

With various mounting and tower configurations available, the Bullseye proves that simplicity does not compromise effectiveness.

The Bullseye delivers rugged performance and reliable results in a cost-effective design.



The SMI Bullseye

Nozzle configuration for precise,
targeted snow placement in tight spaces

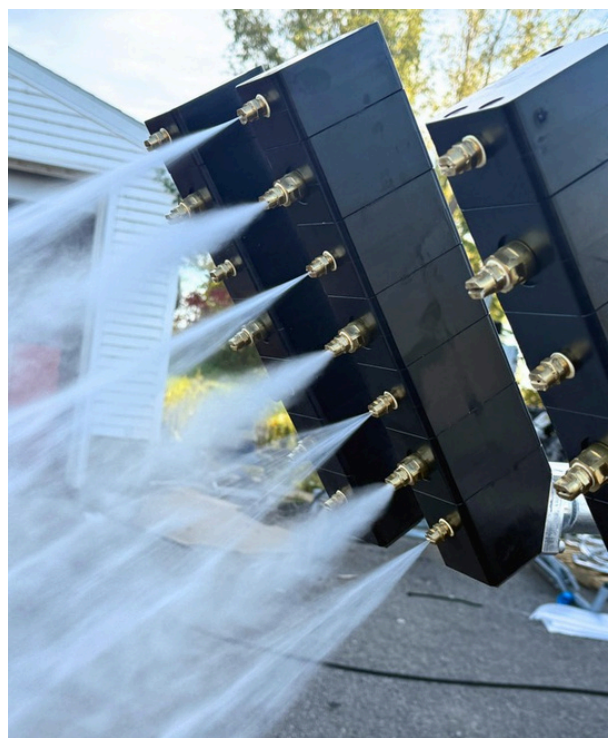
The Bullseye features four water nozzles and three nucleator nozzles in a fixed-angle configuration, engineered for consistent throw patterns and reliable snow quality. This arrangement gives effective coverage for narrow trails, cat tracks, and lift terminals, all while maintaining the simplicity that reduces maintenance time and keeps your operation running smoothly. For wide-area coverage and higher volume needs, a double-head option is also available.

**Instant
Startup**

**No Freeze
Ups**

**Simple
Operation**

**Minimal
Maintenance**



Manual Hill Air

Our cost-effective manual solution for central air infrastructure that does not require any electrical power.

System Includes

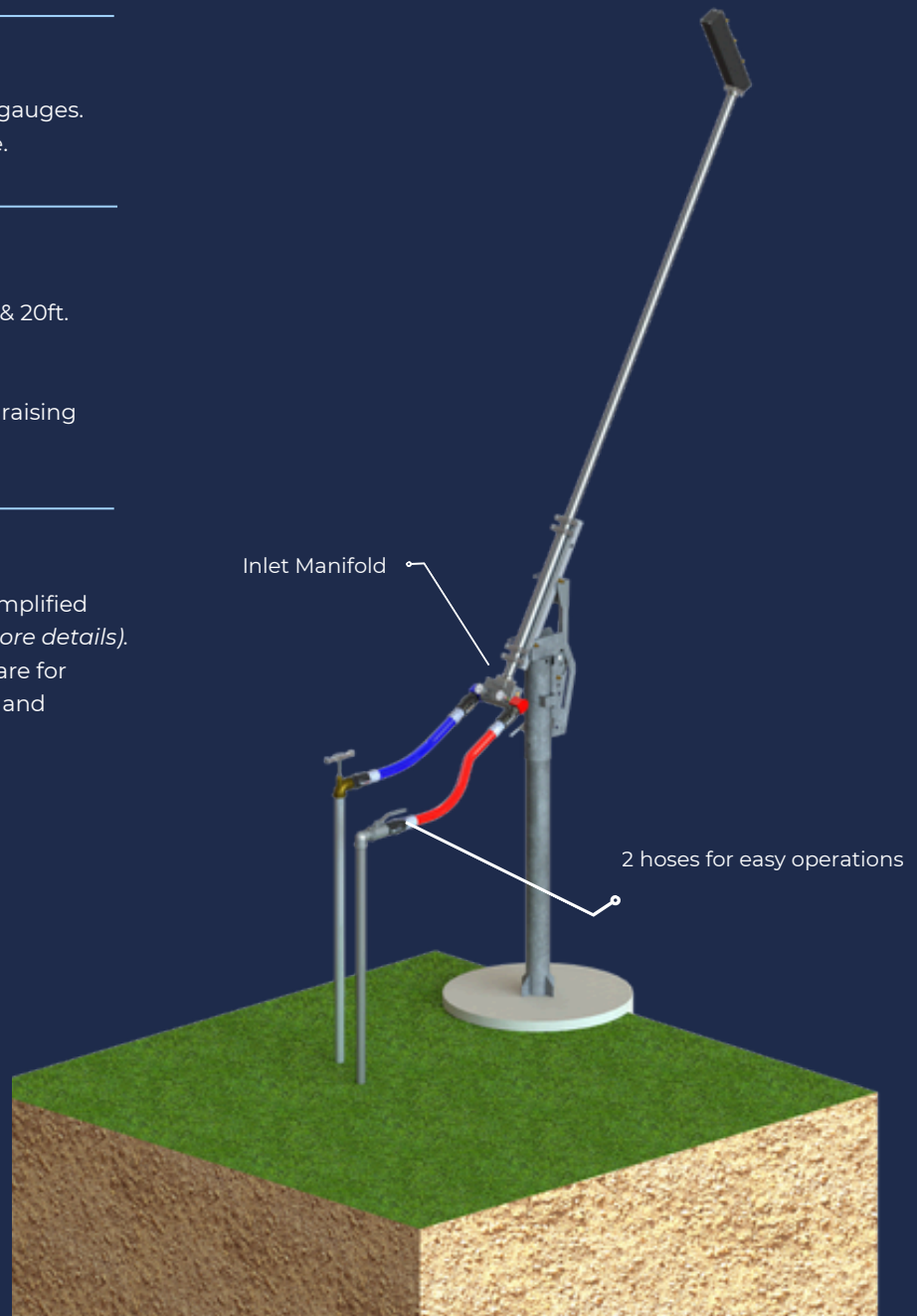
- Inlet manifold with pressure gauges.
- Simple On/Off control handle.

Specs

- Standard Boom Lengths: 14ft & 20ft.
 - Available in 5ft or 10ft.
- On/Off water and air flow.
- Newly designed Jack for easy raising and lowering.

Additional Customizations

- Add on our EZ Hydrant for simplified operations (*see page 9 for more details*).
- Pair with SmartSnow7 software for advanced snowmaking data and machine mapping.



Manual Compressor

Our best manual solution for operations without hill air or high water pressure (600+ psi).

System Includes

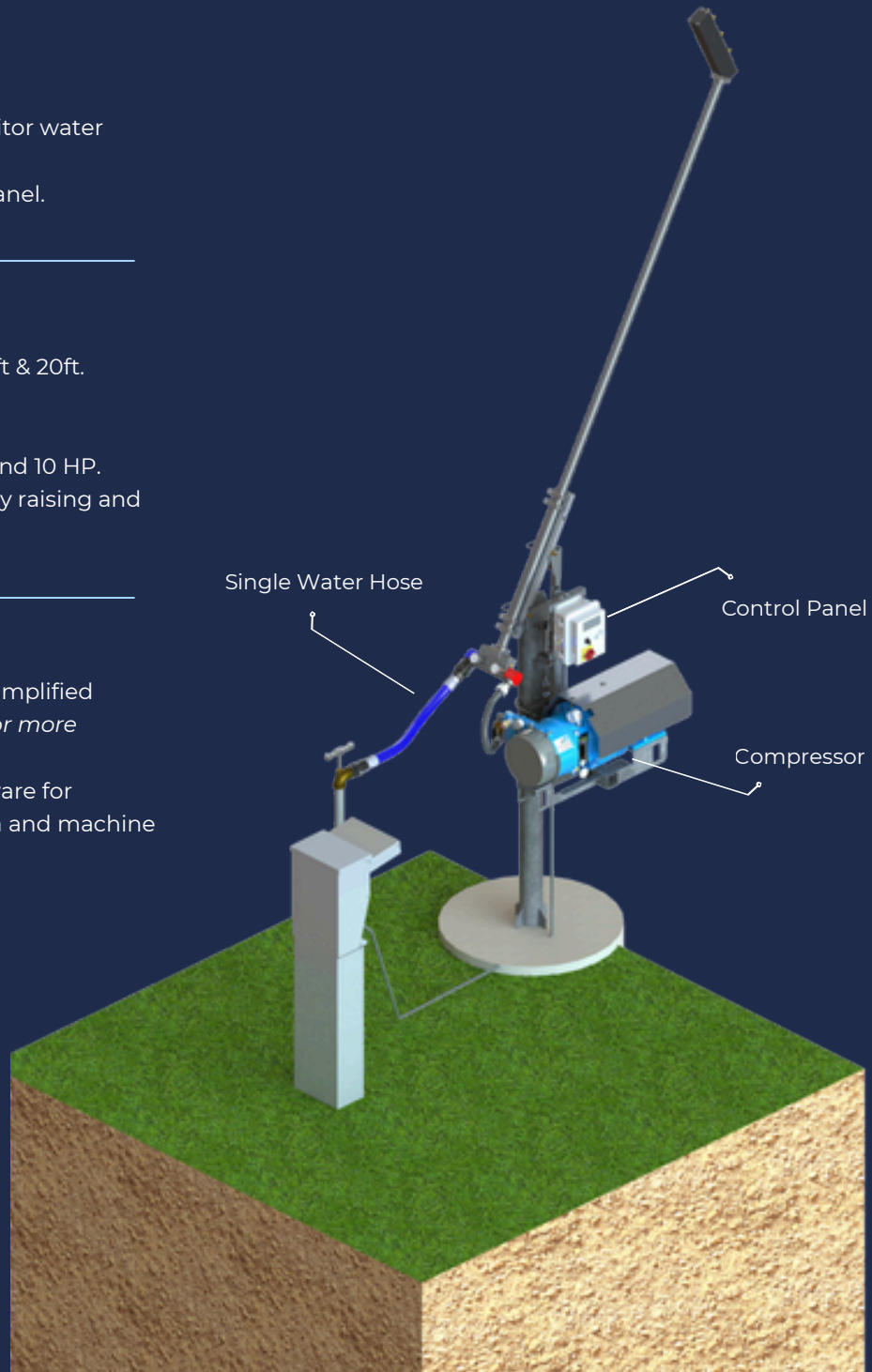
- On board compressor.
 - Inlet manifold to easily monitor water and air pressure.
 - Easy-to-use on/off control panel.
-

Specs

- Standard Boom Lengths: 14ft & 20ft.
 - Available in 5ft or 10ft.
 - On/Off water flow step.
 - Compressor options: 5, 7.5, and 10 HP.
 - Newly designed Jack for easy raising and lowering.
-

Additional Customizations

- Add on our EZ Hydrant for simplified operations (*see next page for more details*).
- Pair with SmartSnow7 software for advanced snowmaking data and machine mapping.



Manual Upgrades and Highlights

EZ Hydrant

Our EZ Hydrant combines allows for seamless movement between air and water flows in a single handle design.

Designed for snowmaker safety, the EZ Hydrant is particularly beneficial for seasonal crews or operations with high turnover rates.

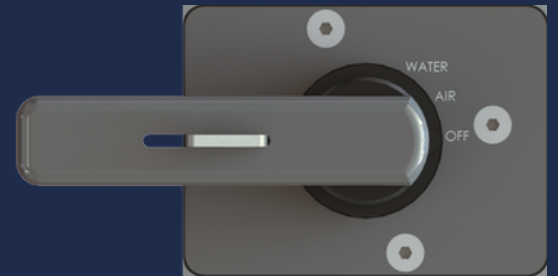
Add to any manual configuration for snowmaking simplicity.

System Includes

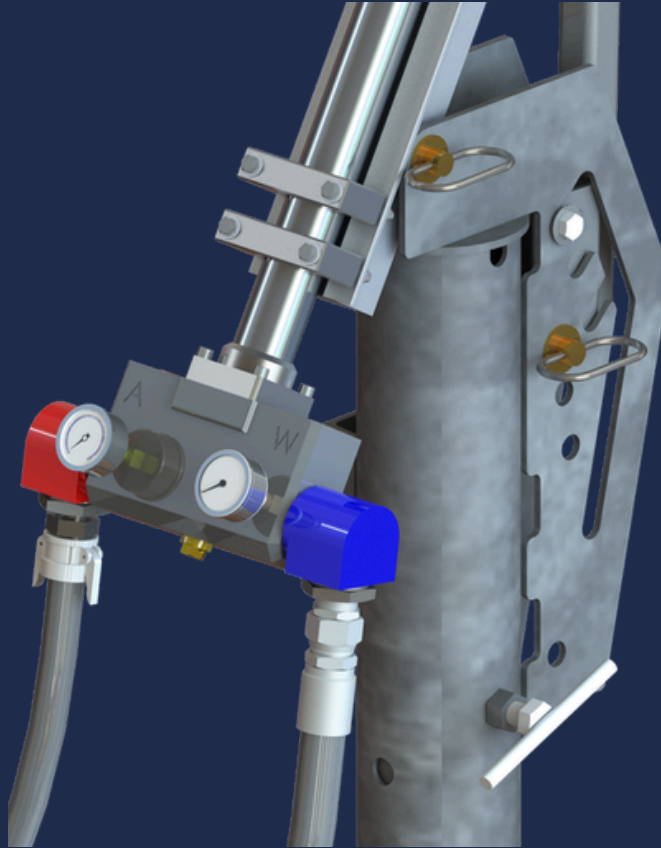
- **Single Handle Operations**- Control water and air stages with ease.
 - **Integrated Water Filter**- Ensures clean water and reduces maintenance needs.
 - **Quick-Release Mechanism**- Easy detachment for removal or maintenance.
 - **Self-Draining System**- minimizes water retention, promoting safety and operational efficiency.
-

Specs

- Handle heights: 4ft or 8ft.
- Integrated water strainer.
- Quick release for easy removal of hydrant.
- Optional heater.
- Suits any manual configuration.
- Designed to prioritize snowmaker safety.



Manual Highlights



INLET MANIFOLD

Each configuration comes equipped with an inlet manifold featuring air and water gauges. Operators can easily monitor pressure and shut the system on or off as needed.



JACKLESS TOWER

Re-engineered for easier raising and lowering with 5-pin and lock positions.

Only for booms 14ft and shorter.

Mobile Mounts & Towers



M-Series Chassis

- Best for towing with two wheels for easy transport.
- Optional Snowcat lifting brackets.
- 3 jacks provide a stable setup on uneven terrain.
- Compatible with 5ft, 10 ft, 14ft, 20ft booms.

Jackless Tower

- 5 pin positions.
- Robust boom design - doesn't get damaged in rough conditions.
- Compatible with 14ft and 20ft booms.





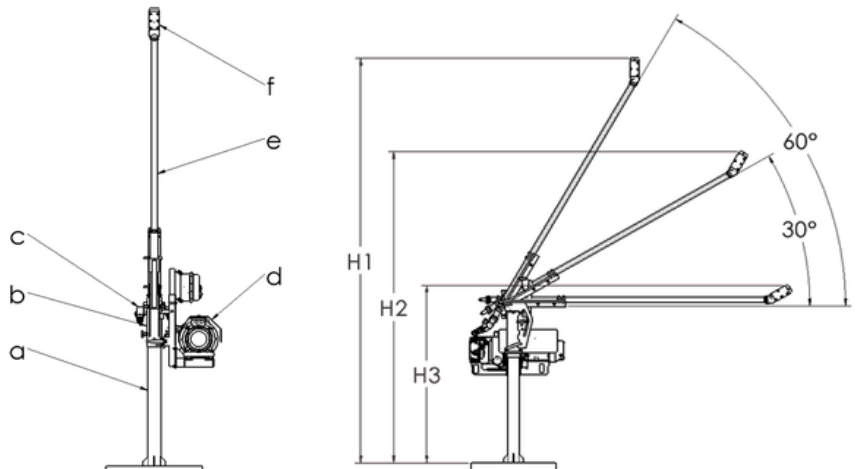
Echo Sled

- Works with both hill air and compressor systems.
- Jacks and a tow bar are included for stability and towing.
- 14ft maximum boom height capacity.

Bullseye Specs

Operating Pressure (psi)	
Min	200
Max	850

Boom Heights (inches)					
		5 ft	10 ft	14 ft	20 ft
H1	60 deg	126	178	230	288
H2	30 deg	110	145	180	212
H3	lowered	72	72	72	72



			Bullseye
Weight (lbs)	a	Base Tube	94
	b	Tower	46
	c	Swivel Block	12
	d	Compressor (5 HP Hydrovane)	225
	d	Compressor (10 HP Hydrovane)	370
	d	Compressor (5 HP Atlas Copco)	170
	d	Compressor (7.5 HP Atlas Copco)	260
	e	5 ft Boom	20
	e	10 ft Boom	31
	e	14 ft Boom	37
	e	20 ft Boom	47
	f	Head	19
Nozzle Config		Number of Water Nozzles	4
		Number of Nucleator Nozzles	3
		Water Flow Stages	1
		Air Flow Stages	1



Ready to start? Let's build your
system.

Snow Machines Inc.
www.snowmakers.com
1512 Rockwell Dr, Midland, MI 48642
P : 1 (989) 631 -6091

