

SNOW MAKERS

GRIZZLY SERIES

Low - E Snowmaking





Better Snow Quality, Energy Efficient.

The SMI Grizzly - Advanced Low-Energy Snowmaking

The SMI Grizzly is our most advanced low-energy snowmaking stick, designed to perform efficiently in all snowmaking conditions. It delivers a powerful throw, consistent quality, and unmatched configuration choices, making it ideal for battling wind, achieving coverage, and optimizing energy use.

We offer full customization of the Grizzly to meet the unique needs of your resort's terrain, climate, and infrastructure. From equipping a beginner slope to expanding a high-traffic terrain park, we tailor each system to fit your specific requirements.

Built on decades of snowmaking expertise and innovation, the Grizzly represents the perfect balance of advanced technology and operational simplicity.



The SMI Grizzly

Advanced snowmaking
technology engineered for
improved snow quality & reliability

Bigger Throw, Drier Snow

The Grizzly's Dual Jet nucleation system creates improved snow particle formation through optimized air-water mixing. The curved head directs nucleator flow upward into the primary nozzle stream, increasing hang time and delivering snow that flies further, lands softer, and sticks longer.

**Optimized
Nucleation**

**Standard
Filtration**

**New Jack
Design**

**Energy
Efficient**



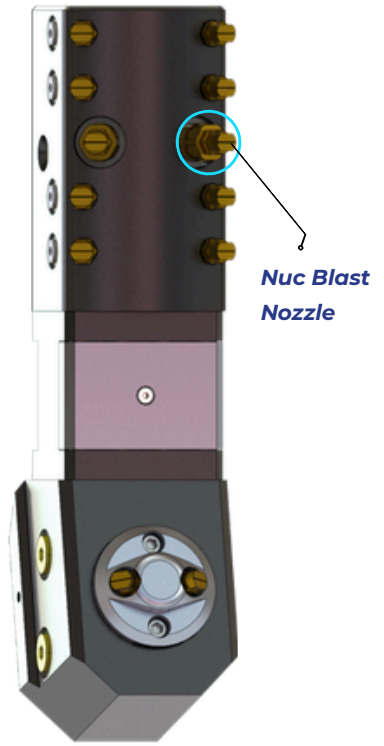
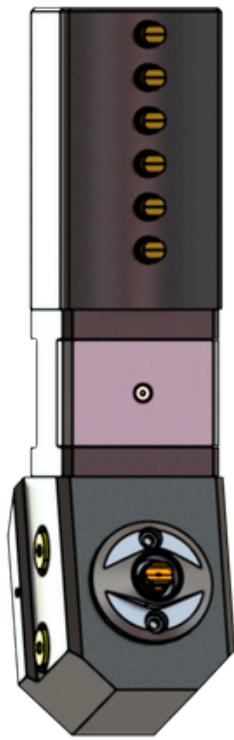
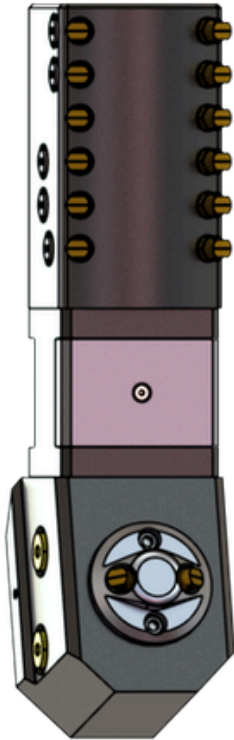
Complete Grizzly Head Lineup

- **Grizzly S** (Standard) - Reliable all-around performance for general terrain coverage.
- **Grizzly N** (Narrow Trail)- Precision coverage for tight spaces and narrow trails.
- **Grizzly X** (Blast)- Nuc Blast technology with two airflows for maximum performance in marginal conditions.
- **Grizzly Double**- Maximum snow production using two S or N heads for wide-area coverage and high volume areas.
- **Grizzly Pivot**- Flexible positioning and precise snow placement, pivots in any direction to optimize snow coverage based on wind conditions.



Grizzly Double with two Grizzly S heads.

Main Grizzly Heads



Grizzly S

Main slope coverage

Water Nozzles **12**

Water Flow Stages **4/6**

Auto or Manual

Featuring 12 water nozzles and 4 or 6 flow stage options for versatile coverage across varied terrain. Designed for reliable, high-output performance on main slopes where consistent snow production is essential.

Grizzly N

Narrow trails and precision placement

Water Nozzles **6**

Water Flow Stages **4/6**

Auto or Manual

Precision-engineered with 6 water nozzles for targeted coverage in constrained spaces, windy spaces, or narrow trails. The reduced nozzle count delivers focused snow placement where accuracy matters most.

Grizzly X

Multiple water and air steps

Water Nozzles **8**

Water Flow Stages **4**

Manual Only

Air Stages **2**

Built for challenging conditions, the X has 8 water nozzles and 2 dedicated air stages (Nuc Blast) for enhanced nucleation control. When marginal temperatures and humidity are the problem, the X delivers maximum performance.

Specialty Grizzly Heads



Grizzly Double

Two heads for double the production and coverage

Water Nozzles **24**

Water Flow Stages **4**

Manual Only

Combines two complete Grizzly heads (S or N) on a single mounting system for maximum snow production and wide-area coverage. Ideal for large slopes and high-volume requirements.



Grizzly Pivot

Allows for flexible, 180° pivoting positioning

Water Nozzles **12**

Water Flow Stages **4/6**

Auto or Manual

Features 180° rotational capability, allowing operators to adjust head direction based on real-time wind conditions. Perfect for challenging terrain where wind patterns change frequently and precise coverage is needed.

Automatic Pit Valve Grizzly

Our cost-effective automatic solution for central air infrastructure and multiple-unit installations.

System Includes

- A heated pit valve to automatically open/close water and air flows.
- An integrated air separator that prevents freeze-ups.
- Weather station with light.

Specs

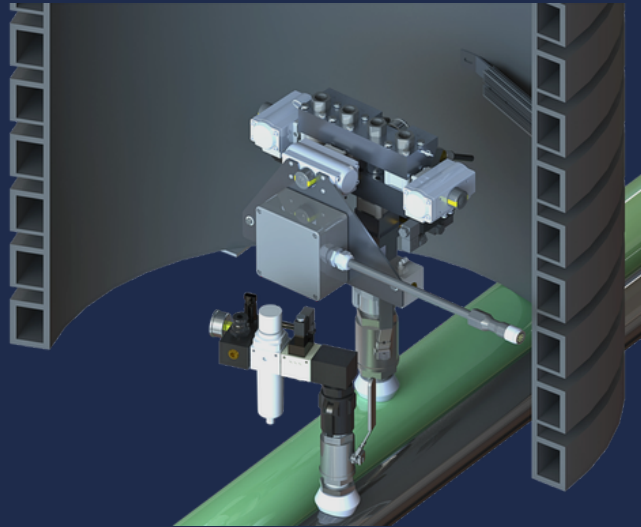
- Boom Lengths: 5 ft, 10 ft, 15 ft, 20 ft, 25 ft.
- 4 or 6 water flow steps.
- Communication and Weather Station options.
- Newly designed Jack for easy raising and lowering.
- Head options: Grizzly S, N, Double, and Pivot.

Additional Customizations

- Optional onboard compressor.
- Radio or hard-wire communication station.
- Pair with SmartSnow7 software for advanced snowmaking data and operational control.



Auto Pit Valve Highlights



4-STEP OR 6-STEP PIT VALVE

Our multi-step Grizzly valve is paired with an on/off pit valve, automatically adjusting water flow based on outside temperatures.

It features an air separator, which removes moisture from compressed air and prevents freezing in the lines.

It can also operate with an onboard compressor for added flexibility.

**Shown is a 6-Step*



NEWLY DESIGNED JACK

Our Grizzly Jack has been redesigned for easier raising and lowering.

**Available for older stick models*

Automatic Hydrant Actuator Grizzly

Our best automatic solution for operations without hill air, with high water pressure (600+ psi), or for those looking to install just a few units.

System Includes

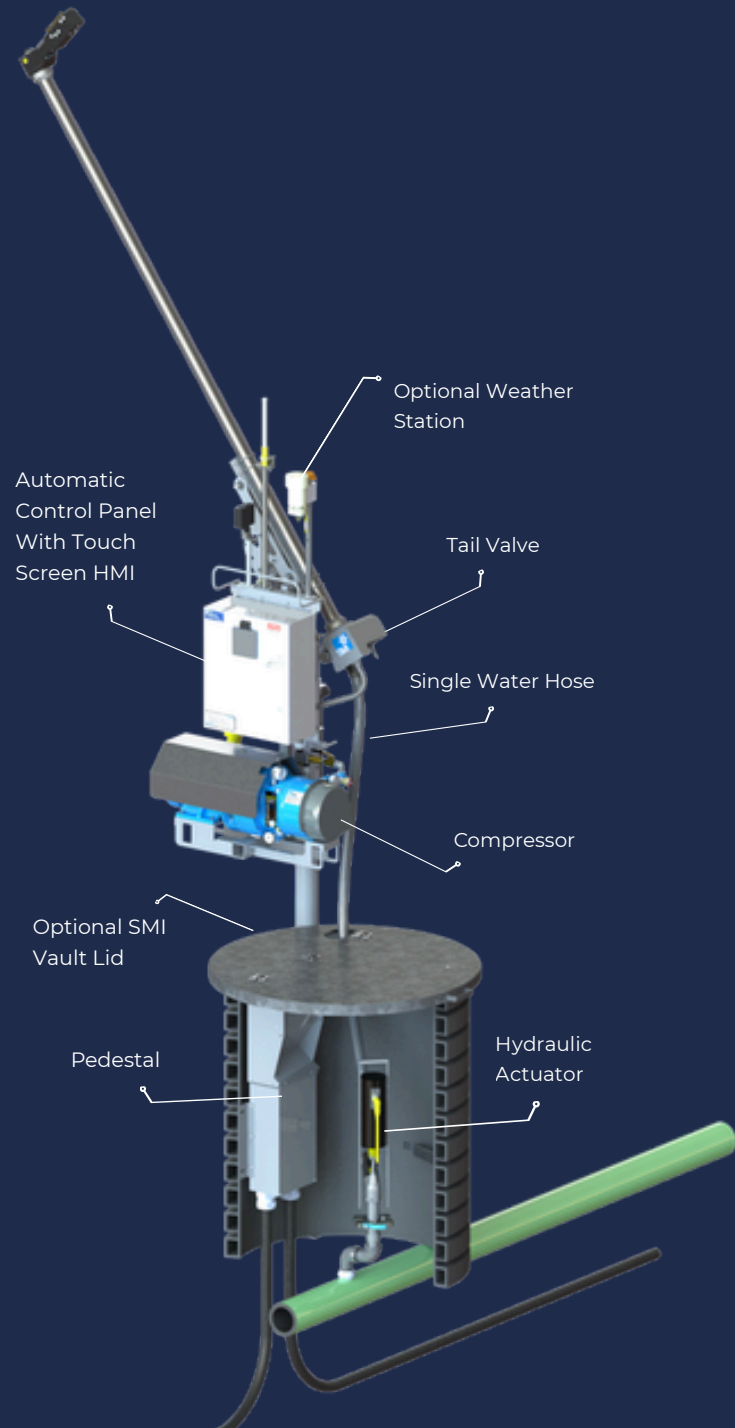
- On board compressor.
- A tail-mounted automatic valve with a single water hose.
- A hydraulic actuator that controls water pressure and automatically adjusts flows based on weather conditions.

Specs

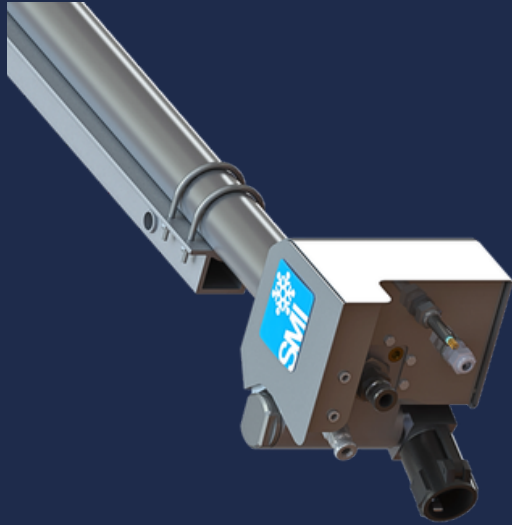
- Boom Lengths: 5 ft, 10 ft, 15 ft, 20 ft, 25 ft.
- 4 water flow steps.
- Compressor options: 5, 7.5, and 10 HP.
- Above-ground Hydrant and Weather Station options.
- Newly designed Jack for easy raising and lowering.
- Head options: Grizzly S, N, Double, and Pivot.

Additional Customizations

- Radio or hardwire communication station.
- Pair with SmartSnow7 software for advanced snowmaking data and operational control.

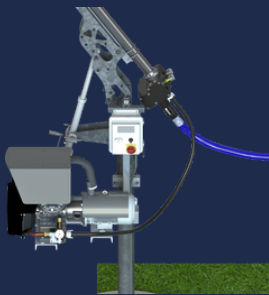


Auto Hydrant Actuator Highlights

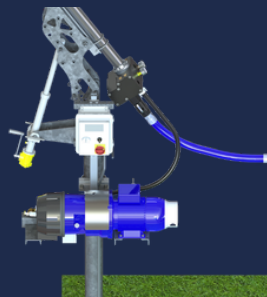


4-STEP TAIL VALVE

Our 4-Step automatic valve system mounts directly on the tail of your stick, creating a streamlined installation with just one water hose running from your water line.



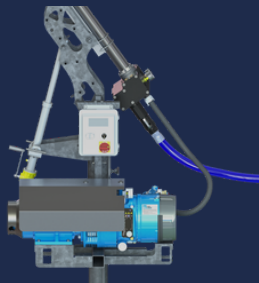
5 HP Atlas Copco



5 HP Hydrovane



7.5 HP Atlas Copco



10 HP Hydrovane

COMPRESSORS

Manual Hill Air Grizzly

Our cost-effective manual solution for central air infrastructure that does not require any electrical power.

System Includes

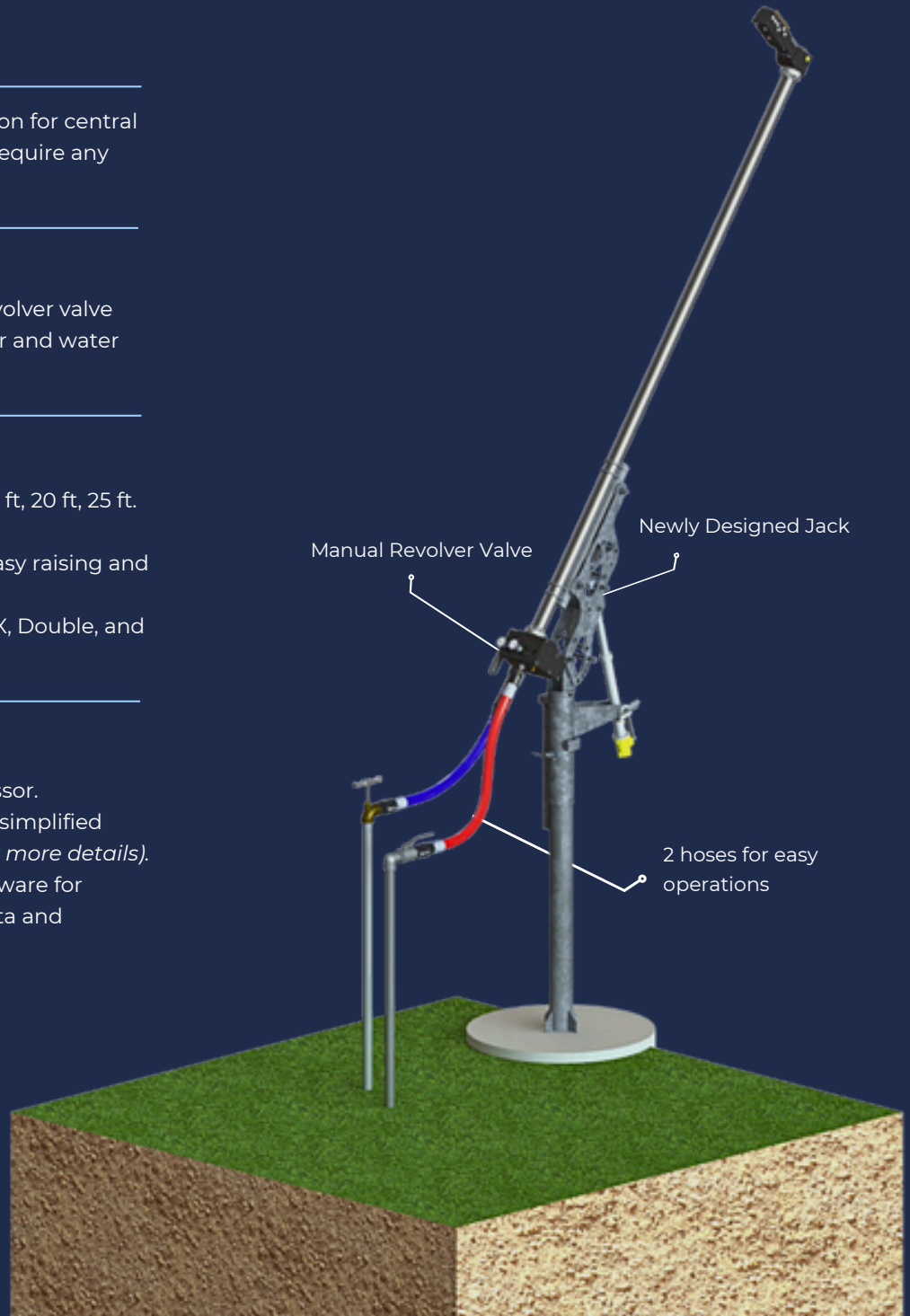
- A manual tail-mounted revolver valve that connects directly to air and water lines.

Specs

- Boom Lengths: 5 ft, 10 ft, 15 ft, 20 ft, 25 ft.
- 4 or 6 water flow steps.
- Newly designed Jack for easy raising and lowering.
- Head options: Grizzly S, N, X, Double, and Pivot.

Additional Customizations

- Optional onboard compressor.
- Add on our EZ Hydrant for simplified operations (*see page 14 for more details*).
- Pair with SmartSnow7 software for advanced snowmaking data and machine mapping.



Manual Compressor Grizzly

Our best manual solution for operations without hill air, with high water pressure (600+ psi), or for those looking to install just a few units.

System Includes

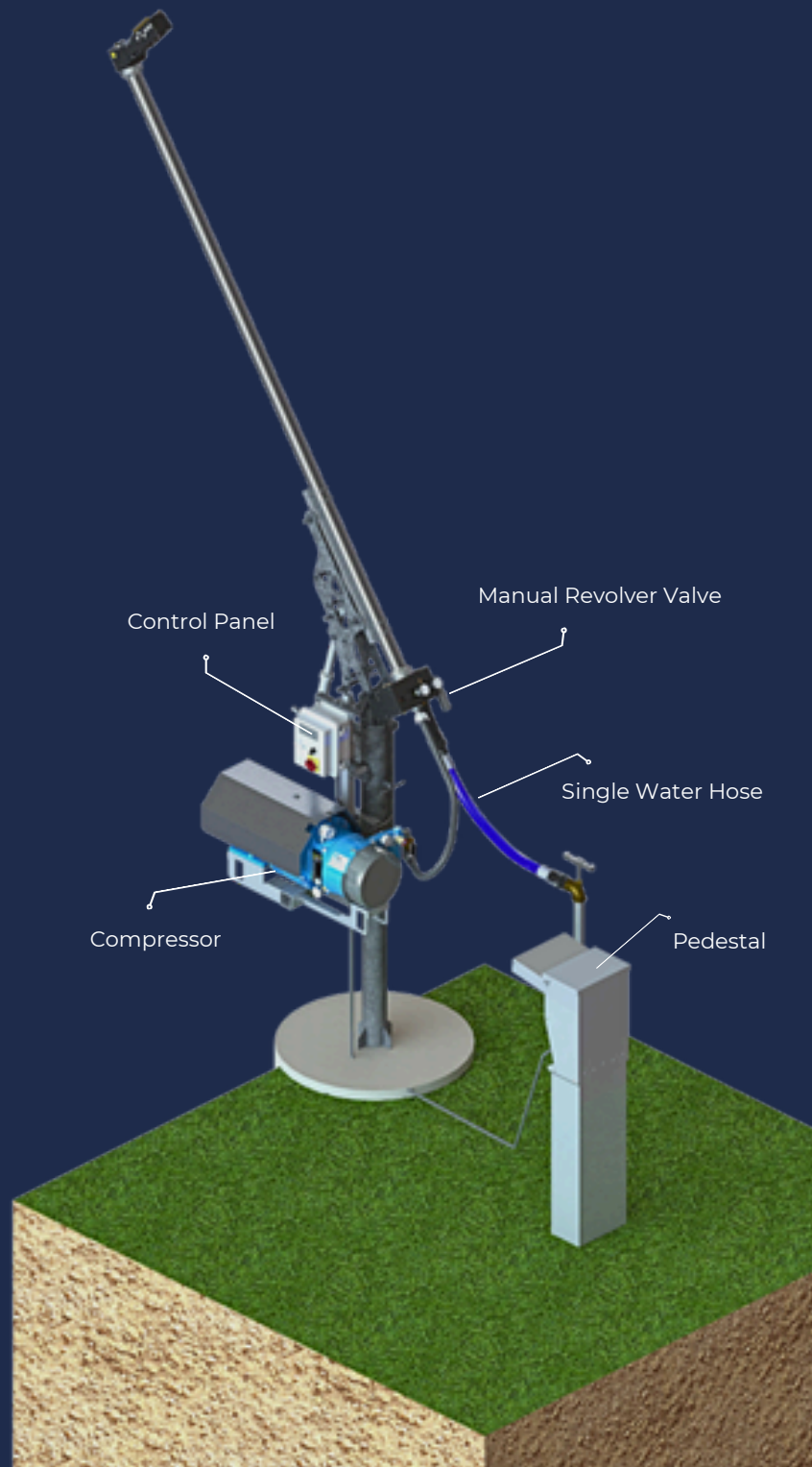
- On board compressor.
- Tail-mounted manual revolver valve with a single water hose.
- Easy to use On/Off control panel.

Specs

- Boom Lengths: 5 ft, 10 ft, 15 ft, 20 ft, 25 ft.
- 4 or 6 water flow steps.
- Compressor options: 5, 7.5, and 10 HP.
- Newly designed Jack for easy raising and lowering.
- Head options: Grizzly S, N, Double, and Pivot.

Additional Customizations

- Add on our EZ Hydrant for simplified operations (*see next page for more details*).
- Pair with SmartSnow7 software for advanced snowmaking data and machine mapping.



Manual Upgrades and Highlights

EZ Hydrant

Our EZ Hydrant combines our manual revolver valve and snowmaking hydrant into a single handle for secure movement between air and water flows.

Designed for snowmaker safety, the EZ Hydrant is particularly beneficial for seasonal crews or operations with high turnover rates.

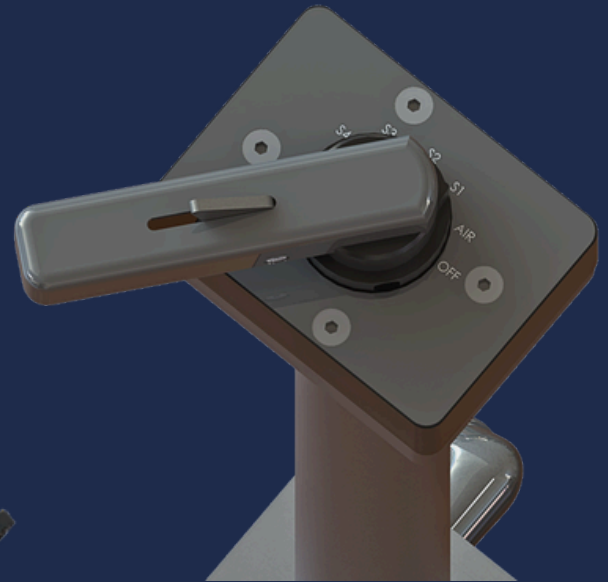
Add to any manual configuration for snowmaking simplicity.

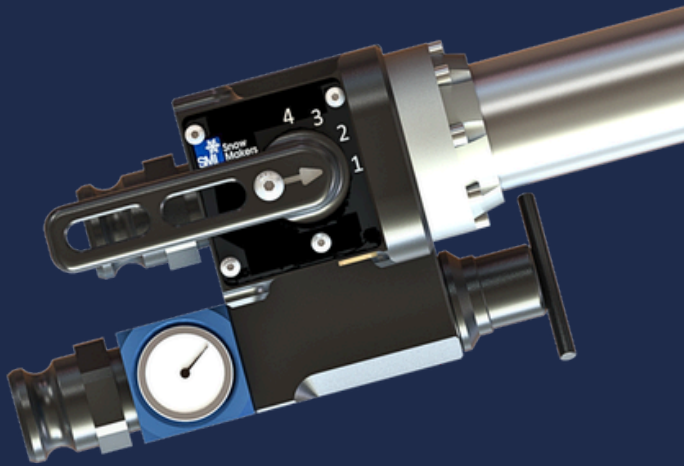
System Includes

- **Single Handle Operations**- Control water and air stages with ease.
 - **Integrated Water Filter**- Ensures clean water and reduces maintenance needs.
 - **Quick-Release Mechanism**- Easy detachment for removal or maintenance.
 - **Self-Draining System**- minimizes water retention, promoting safety and operational efficiency.
-

Specs

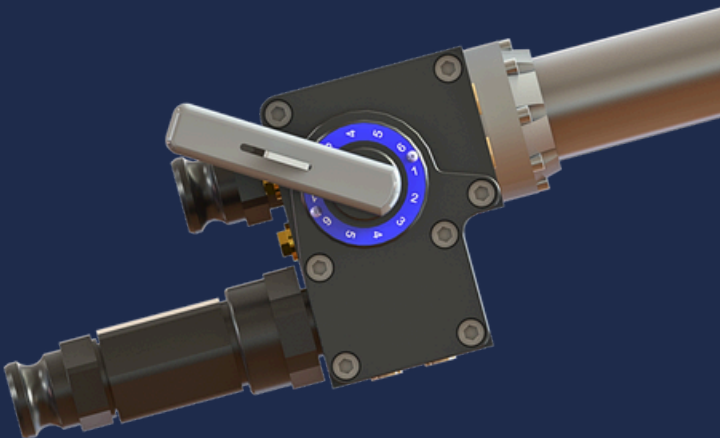
- Handle heights: 4 ft or 8 ft.
- Integrated water strainer.
- Quick release for easy removal of hydrant.
- Optional heater.
- Suits any manual configuration.
- Designed to prioritize snowmaker safety.





4-STEP MANUAL REVOLVER VALVE

Our best-selling and most cost-effective valve option. Provides four easy-to-adjust water flow stages between minimum and maximum flow. It can also be paired with an additional external filter for dirty water and easy maintenance.



6-STEP MANUAL REVOLVER VALVE

Our 6-step manual revolver valve allows for lower starting flow rates and higher maximum flows. It is most suitable for operations in marginal conditions that need more control and includes the external in-line filter.

Mobile Mounts & Towers



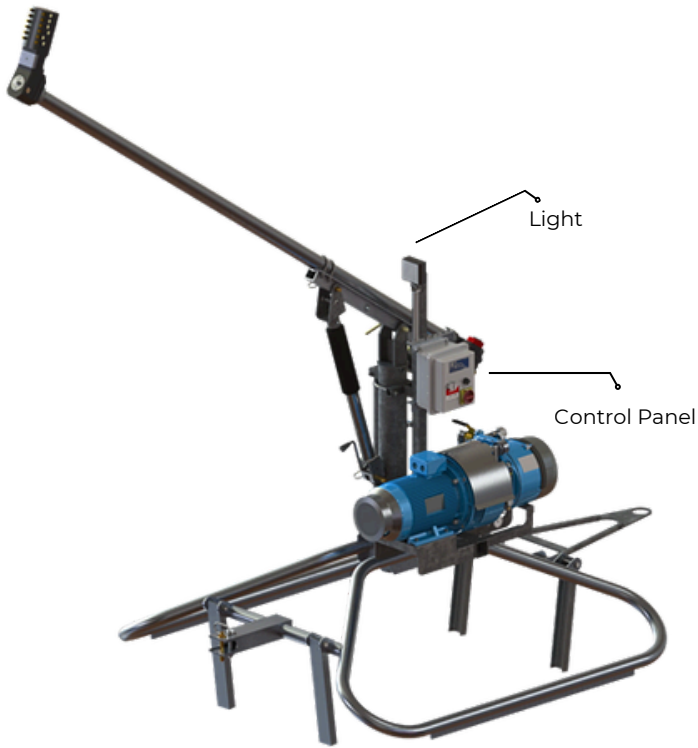
M-Series Chassis

- Best for towing with two wheels for easy transport.
- Optional Snowcat lifting brackets.
- 3 jacks provide a stable setup on uneven terrain.
- Compatible with 5, 10, 15, 20, and 25 ft booms.

Snow Tower

- For 15-25 ft booms.
- Robust boom design - doesn't get damaged in rough conditions.
- New jack for easier raising and lowering.



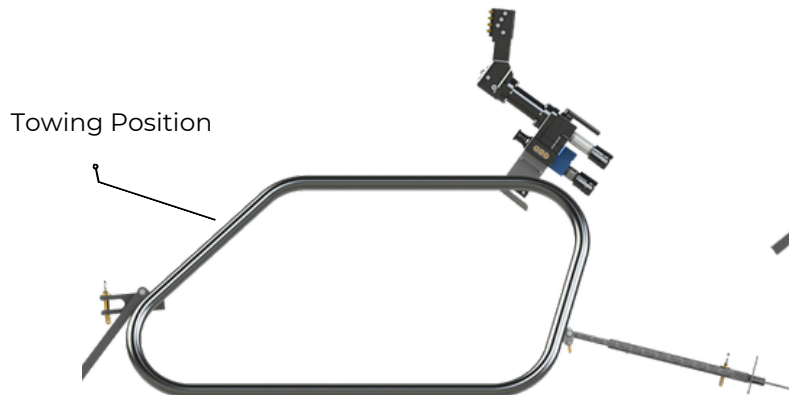


Echo Sled

- Works with both hill air and compressor systems.
- Jacks and tow bar included for stability and towing.
- 15 ft maximum boom height capacity.
- Suitable for all stick types.

Attack sled

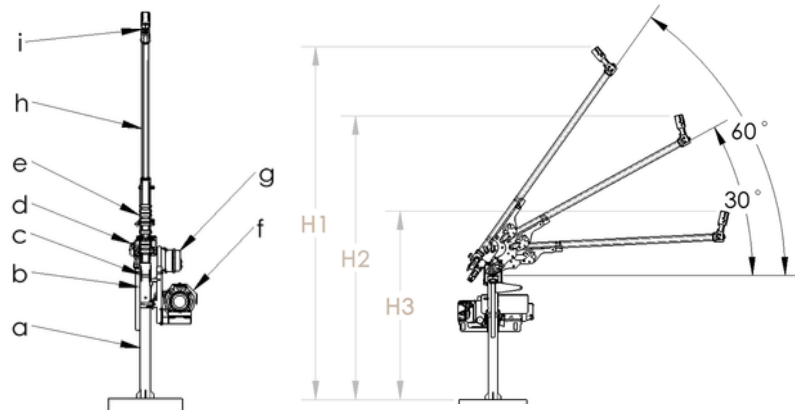
- Engineered for quicker and easier lowering/raising.
- Efficient setup and breakdown for operational flexibility.
- For short booms and 4-Step Grizzly's only.



Grizzly Specs

Operating Pressure (psi)	
Min	200
Max	850

		Boom Heights (Inches)				
		5 ft	10 ft	15 ft	20 ft	25 ft
H1	60 deg	135	187	239	288	336
H2	30 deg	121	152	183	212	240
H3	lowered	72	72	72	72	72



		4 Step	6 Step	x (nuc blast)	4 Step NT	6 Step NT	Double Head	Pivot Head	
Weight (lbs)	a	Base Tube	94	94	94	94	94	94	
	b	Tower	47.5	47.5	47.5	47.5	47.5	47.5	
	c	Jack	19	19	19	19	19	19	
	d	Cradle Plates	33	33	33	33	33	33	
	e	Manual Revolver Valve	22	40	20	22	40	22	-
	e	Auto Valve (on tail)	27	-	-	27	-	27	27
	f	Compressor (5 HP Hydrovane)	225	225	225	225	225	225	225
	f	Compressor (10 HP Hydrovane)	370	370	370	370	370	370	370
	f	Compressor (5 HP Atlas Copco)	170	170	170	170	170	170	170
	f	Compressor (7.5 HP Atlas Copco)	260	260	260	260	260	260	260
	g	Auto Control Panel	86	86	86	86	86	86	86
	h	5 ft Boom	31.5	31.5	31.5	31.5	31.5	31.5	31.5
	h	10 ft Boom	52	52	52	52	52	52	52
	h	15 ft Boom	79	79	79	79	79	79	79
	h	20 ft Boom	116	116	116	116	116	116	116
h	25 ft Boom	152	152	152	152	152	152	-	
i	Head	22	22	22	22	22	56	83	
Nozzle Config		Number of Water Nozzles	12	12	8	6	6	24	-
		Number of Nucleator Nozzles	2	2	4	1	1	4	-
		Number of Always On Nozzles	4	4	4	2	2	8	-
		Number of Switchable Nozzles	8	8	4	4	4	16	-
		Water Flow Stages	4	6	4	4	6	4	-
		Air Flow Stages	1	1	2	1	1	1	-



Grizzly Conversion Kit



Up to 80% reduction
in air consumption

**GET SMI PERFORMANCE
WITHOUT STARTING OVER. ASK
ABOUT OUR CONVERSION KITS
FOR EXISTING COMPETITOR
STICKS.**



Ready to start? Let's build your
system.

Snow Machines Inc.
www.snowmakers.com
1512 Rockwell Dr, Midland, MI 48642
P : 1 (989) 631 -6091

